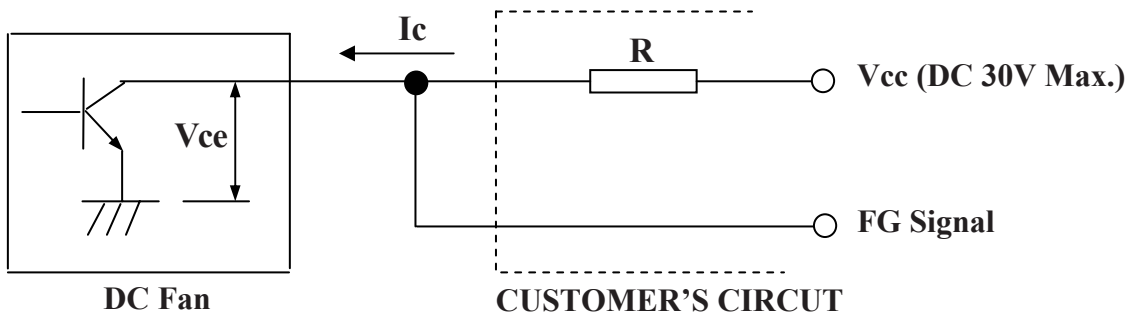


FREQUENCY GENERATOR(FG) SIGNAL:

Output circuit: Open collector mode



$R = V/I$ (Out "R" value can be found by calculating)

Specification Ic 10mA Max.

Frequency Generator Waveform:

