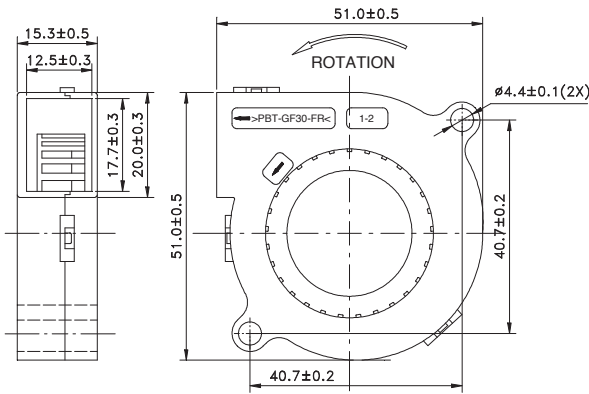
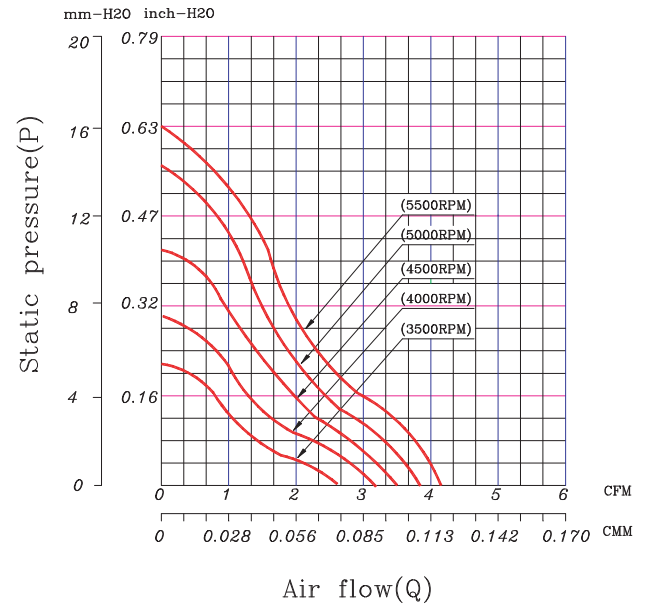


Dimensions



Performance Curves



Air exhaust over struts. Rotational direction CCW looking at rotor.

Brushless DC Motor	Bearing Type
Weight: 25g Impedance protected Lead wire UL 1007 AWG 26	Ceramic

* All fans are with electronic protection against reverse polarity. The fan only operates when the polarity is correct.

Function Options	
● Frequency Generator	● Auto Restart
● Temperature Control	● Rotation Detection

* Please contact us for PWM function availability.

* Please contact us for IP55 availability.

* Safety Approval: CE, UL, TUV

Specifications

Model	Rated Voltage (VDC)	Rated Current (Amp)	Input Power (Watts)	Nominal Speed (RPM)	Airflow (CFM)	Static Pressure (inch -H ₂ O)	Noise Level (dBA)
FAN5115C5H	5	0.22	1.10	4500	3.50	0.41	30.00
FAN5115C5M	5	0.16	0.80	4000	3.20	0.22	27.00
FAN5115C5L	5	0.10	0.50	3500	2.80	0.21	23.00
FAN5115C12H	12	0.27	3.24	5500	4.10	0.63	37.00
FAN5115C12M	12	0.22	2.64	5000	3.80	0.52	34.00
FAN5115C12L	12	0.17	2.04	4500	3.50	0.41	31.00

* Specifications are subject to change without prior notice.

* Check with your distributor for models available.