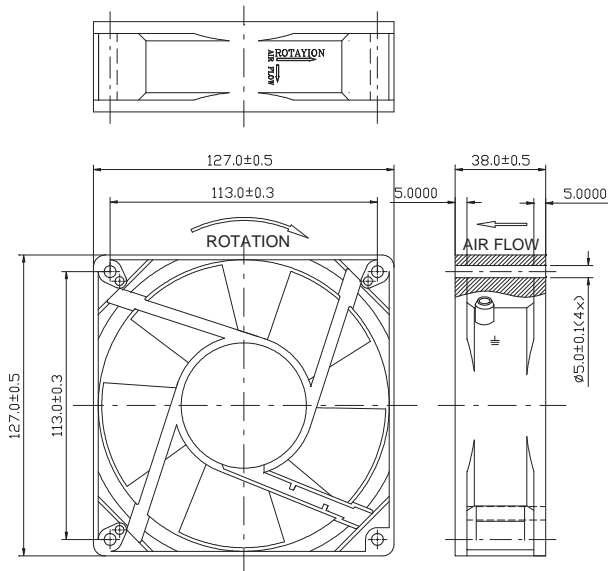
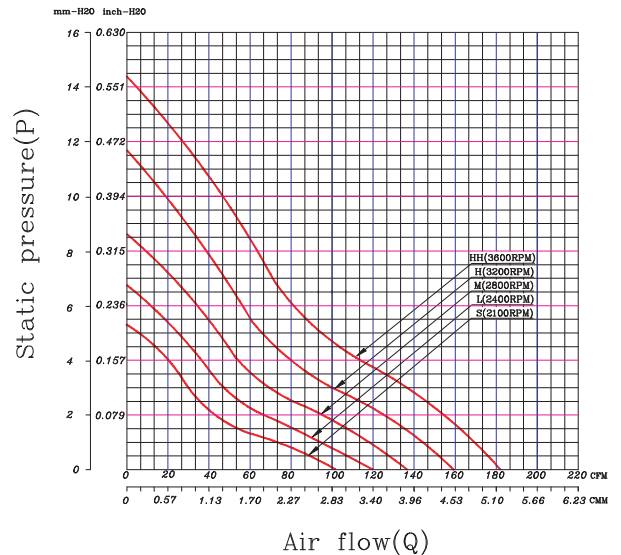


### Dimensions



### Performance Curves



Air exhaust over struts. Rotational direction CCW looking at rotor.

Brushless DC Motor	Bearing Type
Weight: 350g	Double Ball Bearing
Impedance protected	
Lead wire UL 1007 AWG 24	

\* All fans are with electronic protection against reverse polarity. The fan only operates when the polarity is correct.

Function Options	
<input type="checkbox"/> Frequency Generator	<input type="checkbox"/> Auto Restart
<input type="checkbox"/> Temperature Control	<input type="checkbox"/> Rotation Detection

- \* Please contact us for PWM function availability.
- \* Please contact us for IP55 availability.
- \* Safety Approval: CE, UL, TUV

### Specifications

Model	Rated Voltage (VDC)	Rated Current (Amp)	Input Power (Watts)	Nominal Speed (RPM)	Airflow (CFM)	Static Pressure (inch -H2O)	Noise Level (dBA)
FAN12738B12H	12	0.67	8.04	2800	135.90	0.34	47.00
FAN12738B12M	12	0.42	5.04	2400	119.90	0.27	43.00
FAN12738B12L	12	0.26	3.12	2100	103.10	0.21	39.00
FAN12738B24HH	24	0.70	16.80	3600	182.90	0.57	55.00
FAN12738B24H	24	0.50	12.00	3200	159.40	0.46	51.00
FAN12738B24M	24	0.32	7.68	2800	135.90	0.34	47.00
FAN12738B24L	24	0.26	6.24	2400	119.90	0.27	43.00

\* Specifications are subject to change without prior notice.

\* Check with your distributor for models available.