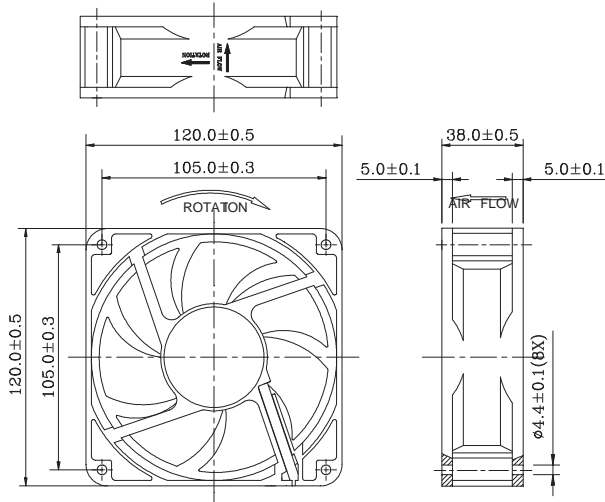
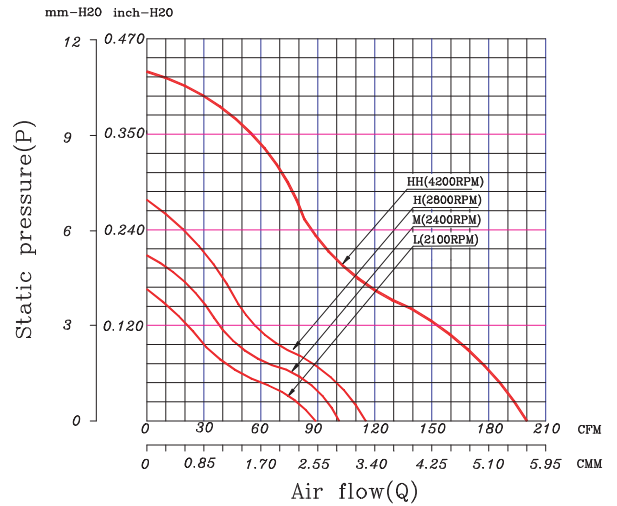


#### Dimensions



#### Performance Curves



Air exhaust over struts. Rotational direction CCW looking at rotor.

Brushless DC Motor	Bearing Type
Weight: 270g	Double Ball Bearing
Impedance protected	
Lead wire UL 1007 AWG 24	

\* All fans are with electronic protection against reverse polarity. The fan only operates when the polarity is correct.

Function Options	
● Frequency Generator	● Auto Restart
● Temperature Control	● Rotation Detection

\* Please contact us for PWM function availability.

\* Please contact us for IP55 availability.

\* Safety Approval: CE, UL, TUV

#### Specifications

Model	Rated Voltage (VDC)	Rated Current (Amp)	Input Power (Watts)	Nominal Speed (RPM)	Airflow (CFM)	Static Pressure (inch -H2O)	Noise Level (dBA)
FAN12038B12HH	12	1.65	19.80	4200	205.18	0.61	55.30
FAN12038B12H	12	0.60	7.20	2800	117.88	0.27	46.50
FAN12038B12M	12	0.45	5.40	2400	102.27	0.20	43.00
FAN12038B12L	12	0.35	4.20	2100	89.70	0.16	39.00
FAN12038B24H	24	0.35	8.40	2800	117.88	0.27	46.50
FAN12038B24M	24	0.25	6.00	2400	102.27	0.20	43.00
FAN12038B24L	24	0.20	4.80	2100	89.70	0.16	39.00
FAN12038B48H	48	0.20	9.60	2800	117.88	0.27	46.50
FAN12038B48M	48	0.16	7.68	2400	102.27	0.20	43.00
FAN12038B48L	48	0.13	6.24	2100	89.70	0.16	39.00

\* Specifications are subject to change without prior notice.

\* Check with your distributor for models available.