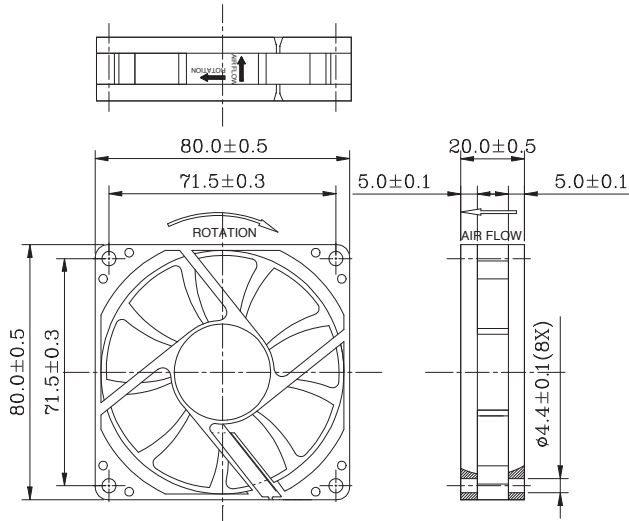
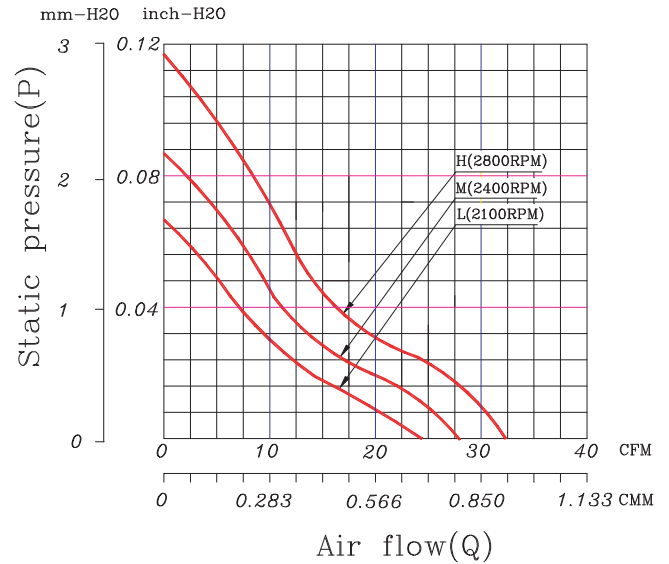


Dimensions



Performance Curves



Air exhaust over struts. Rotational direction CCW looking at rotor.

Brushless DC Motor	Bearing Type
Weight: 70g Impedance protected Lead wire UL 1007 AWG 24	Ceramic

* All fans are with electronic protection against reverse polarity. The fan only operates when the polarity is correct.

Function Options	
● Frequency Generator	● Auto Restart
● Temperature Control	● Rotation Detection

- * Please contact us for PWM function availability.
- * Please contact us for IP55 availability.
- * Safety Approval: CE, UL, TUV

Specifications

Model	Rated Voltage (VDC)	Rated Current (Amp)	Input Power (Watts)	Nominal Speed (RPM)	Airflow (CFM)	Static Pressure (inch -H2O)	Noise Level (dBA)
FAN8020C12H	12	0.19	2.28	2800	32.21	0.12	29.00
FAN8020C12M	12	0.13	1.56	2400	27.62	0.09	26.50
FAN8020C12L	12	0.12	1.44	2100	24.16	0.07	23.00

* Specifications are subject to change without prior notice.

* Check with your distributor for models available.