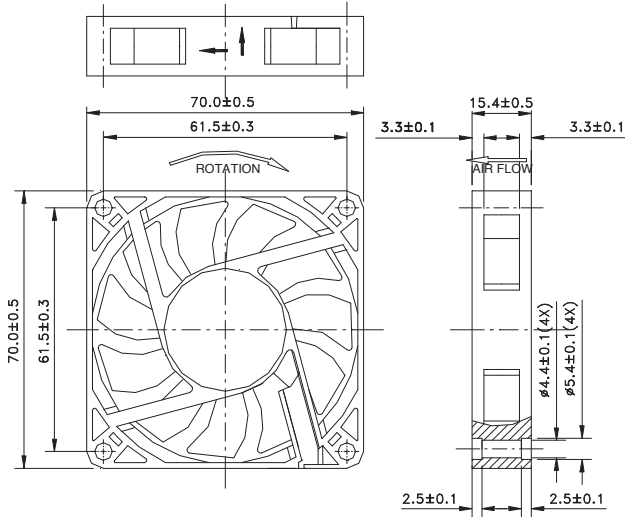
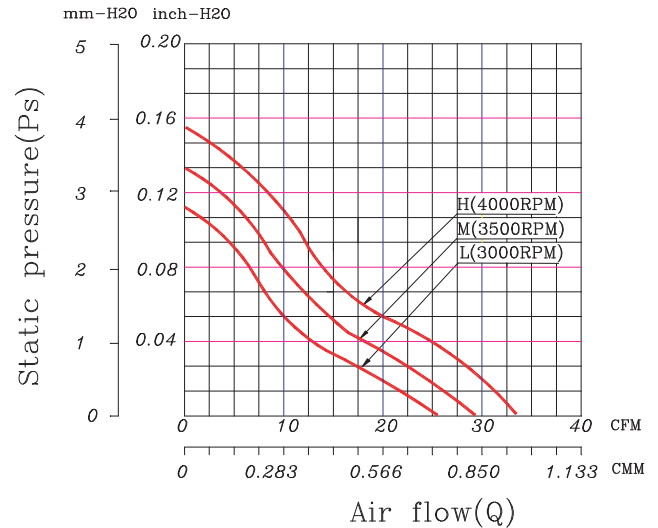


Dimensions



Performance Curves



Air exhaust over struts. Rotational direction CCW looking at rotor.

Brushless DC Motor	Bearing Type
Weight: 55g Impedance protected Lead wire UL 1007 AWG 24	Ceramic

* All fans are with electronic protection against reverse polarity. The fan only operates when the polarity is correct.

Function Options	
● Frequency Generator	● Auto Restart
● Temperature Control	● Rotation Detection

* Please contact us for PWM function availability.

* Please contact us for IP55 availability.

* Safety Approval: CE, UL, TUV

Specifications

Model	Rated Voltage (VDC)	Rated Current (Amp)	Input Power (Watts)	Nominal Speed (RPM)	Airflow (CFM)	Static Pressure (inch -H2O)	Noise Level (dBA)
FAN7015C12H	12	0.23	2.76	4000	33.20	0.15	35.00
FAN7015C12M	12	0.16	1.92	3500	29.10	0.13	32.00
FAN7015C12L	12	0.11	1.32	3000	25.00	0.11	28.00
FAN7015C24H	24	0.16	3.84	4000	33.20	0.15	35.00
FAN7015C24M	24	0.12	2.88	3500	29.10	0.13	32.00
FAN7015C24L	24	0.09	2.16	3000	25.00	0.11	28.00

* Specifications are subject to change without prior notice.

* Check with your distributor for models available.