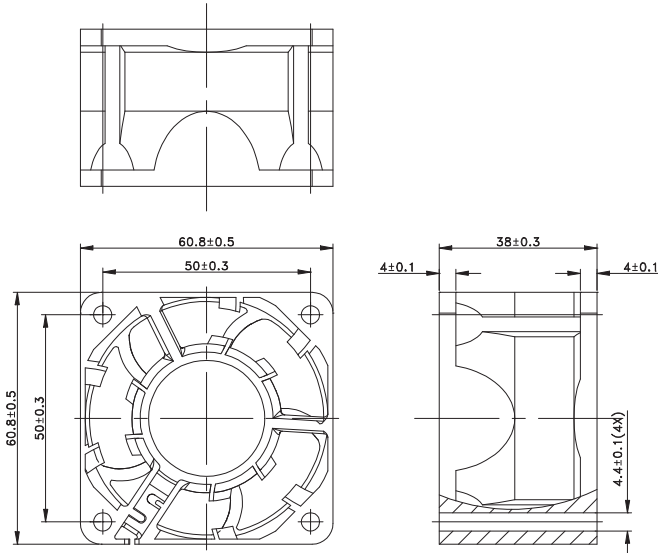
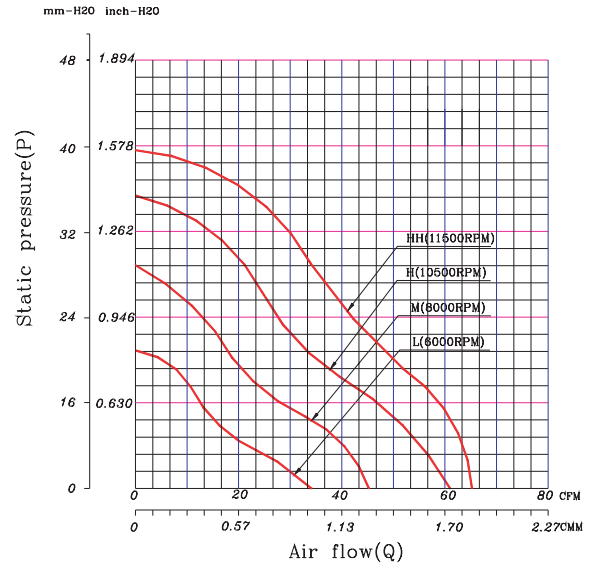


### Dimensions



### Performance Curves



Air exhaust over struts. Rotational direction CCW looking at rotor.

Brushless DC Motor	Bearing Type
Weight: 114.5g Impedance protected Lead wire UL 1007 AWG 24	Ceramic

\* All fans are with electronic protection against reverse polarity. The fan only operates when the polarity is correct.

Function Options	
<input type="checkbox"/> Frequency Generator	<input type="checkbox"/> Auto Restart
<input type="checkbox"/> Temperature Control	<input type="checkbox"/> Rotation Detection

- \* Please contact us for PWM function availability.
- \* Please contact us for IP55 availability.
- \* Safety Approval: CE, UL, TUV

### Specifications

Model	Rated Voltage (VDC)	Rated Current (Amp)	Input Power (Watts)	Nominal Speed (RPM)	Airflow (CFM)	Static Pressure (inch -H <sub>2</sub> O)	Noise Level (dBA)
FAN6038C12HH	12	1.85	22.20	11500	65.30	1.56	58.00
FAN6038C12H	12	1.55	18.60	10500	60.17	1.39	56.00
FAN6038C12M	12	0.74	8.88	8000	45.43	1.09	50.12
FAN6038C12L	12	0.32	3.84	6000	34.07	0.82	43.87
FAN6038C24HH	24	1.35	32.4	11500	65.30	1.56	58.00
FAN6038C24H	24	1.25	30.0	10500	60.17	1.39	56.00
FAN6038C24M	24	0.70	16.8	8000	45.43	1.09	50.12
FAN6038C24L	24	0.30	7.20	6000	34.07	0.82	43.87

\* Specifications are subject to change without prior notice.

\* Check with your distributor for models available.