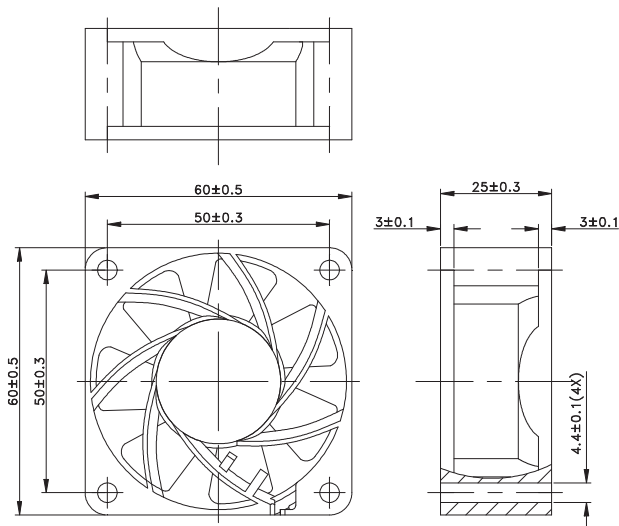


### Dimensions

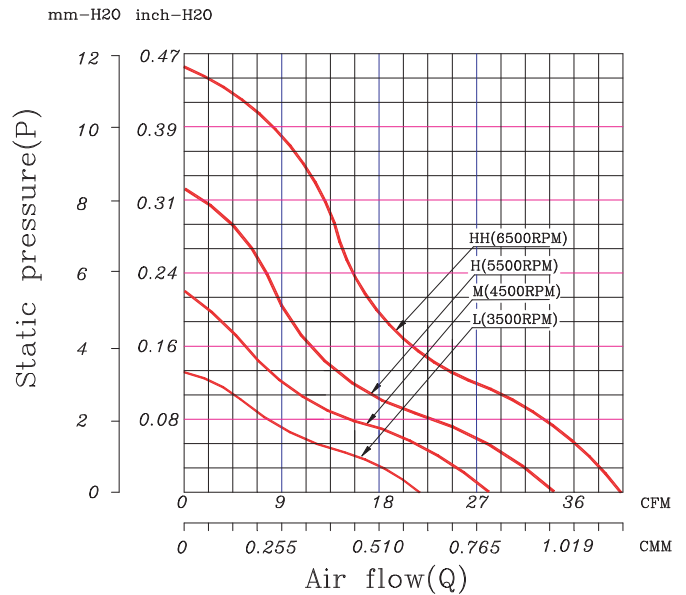


Air exhaust over struts. Rotational direction CCW looking at rotor.

Brushless DC Motor	Bearing Type
Weight: 60g Impedance protected Lead wire UL 1007 AWG 24	Ceramic

\* All fans are with electronic protection against reverse polarity. The fan only operates when the polarity is correct.

### Performance Curves



Function Options	
● Frequency Generator	● Auto Restart
● Temperature Control	● Rotation Detection

- \* Please contact us for PWM function availability.
- \* Please contact us for IP55 availability.
- \* Safety Approval: CE, UL, TUV

### Specifications

Model	Rated Voltage (VDC)	Rated Current (Amp)	Input Power (Watts)	Nominal Speed (RPM)	Airflow (CFM)	Static Pressure (inch -H2O)	Noise Level (dBA)
FAN6025C12HH-II	12	0.60	7.20	6500	40.32	0.46	48.60
FAN6025C12H-II	12	0.45	5.40	5500	34.12	0.33	45.00
FAN6025C12M-II	12	0.35	4.20	4500	27.95	0.22	38.00
FAN6025C12L-II	12	0.20	2.40	3500	21.74	0.13	32.50

\* Specifications are subject to change without prior notice.

\* Check with your distributor for models available.