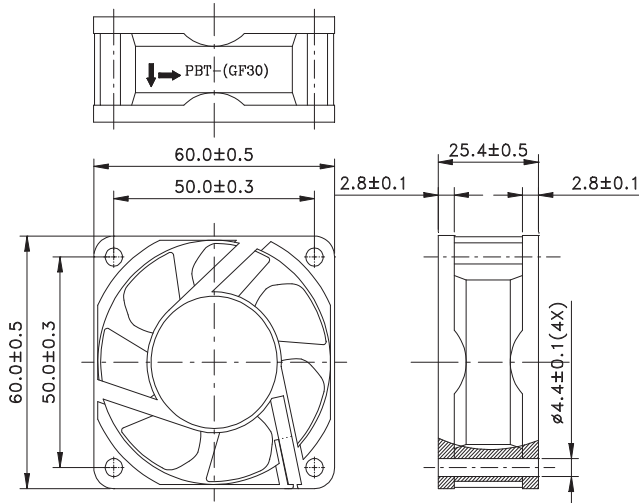
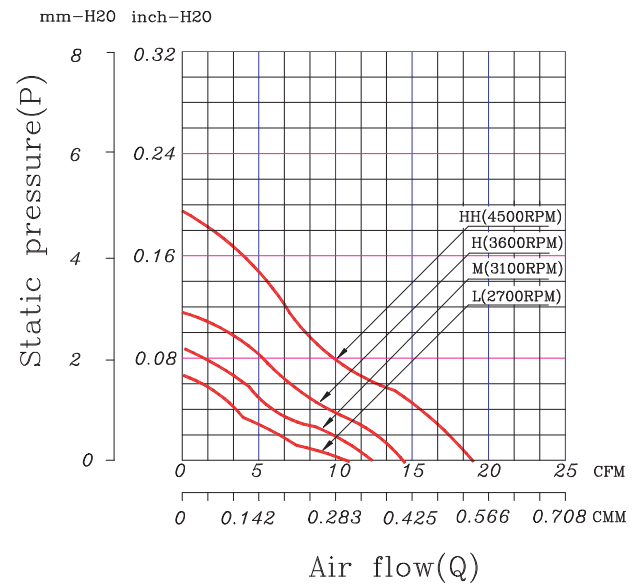


Dimensions



Performance Curves



Air exhaust over struts. Rotational direction CCW looking at rotor.

Brushless DC Motor	Bearing Type
Weight: 60g Impedance protected Lead wire UL 1007 AWG 24	Ceramic

* All fans are with electronic protection against reverse polarity. The fan only operates when the polarity is correct.

Function Options	
● Frequency Generator	● Auto Restart
● Temperature Control	● Rotation Detection

- * Please contact us for PWM function availability.
- * Please contact us for IP55 availability.
- * Safety Approval: CE, UL, TUV

Specifications

Model	Rated Voltage (VDC)	Rated Current (Amp)	Input Power (Watts)	Nominal Speed (RPM)	Airflow (CFM)	Static Pressure (inch -H2O)	Noise Level (dBA)
FAN6025C12HH-I	12	0.23	2.76	4500	19.62	0.19	31.00
FAN6025C12H-I	12	0.15	1.80	3600	17.18	0.13	24.00
FAN6025C12M-I	12	0.12	1.44	3100	14.42	0.08	23.50
FAN6025C12L-I	12	0.08	0.96	2700	12.36	0.06	23.00
FAN6025C24HH-I	24	0.18	4.32	4500	19.62	0.19	31.00
FAN6025C24H-I	24	0.14	3.36	3600	17.18	0.13	24.00
FAN6025C24M-I	24	0.10	2.40	3100	14.42	0.08	23.50
FAN6025C24L-I	24	0.08	1.92	2700	12.36	0.06	23.00

* Specifications are subject to change without prior notice.

* Check with your distributor for models available.