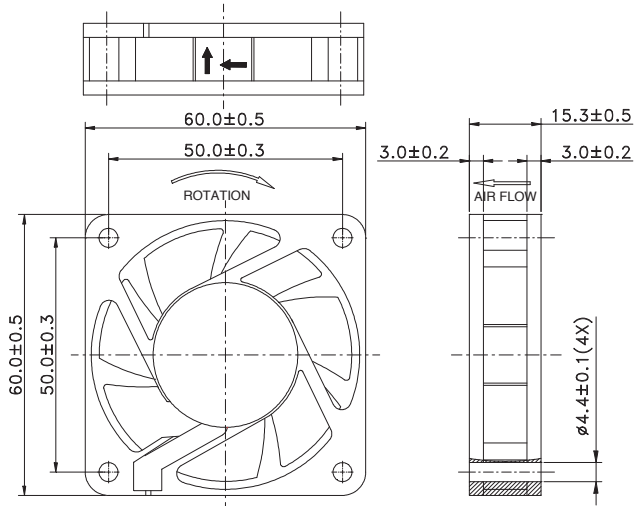
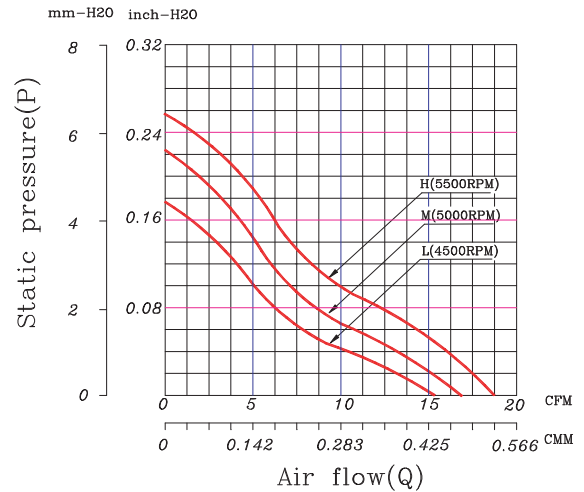


Dimensions



Performance Curves



Air exhaust over struts. Rotational direction CCW looking at rotor.

Brushless DC Motor	Bearing Type
Weight: 40g Impedance protected Lead wire UL 1007 AWG 26	Ceramic

* All fans are with electronic protection against reverse polarity. The fan only operates when the polarity is correct.

Function Options	
● Frequency Generator	● Auto Restart
● Temperature Control	● Rotation Detection

- * Please contact us for PWM function availability.
- * Please contact us for IP55 availability.
- * Safety Approval: CE, UL, TUV

Specifications

Model	Rated Voltage (VDC)	Rated Current (Amp)	Input Power (Watts)	Nominal Speed (RPM)	Airflow (CFM)	Static Pressure (inch -H2O)	Noise Level (dBA)
FAN6015C5H-II	5	0.43	2.15	5500	18.40	0.24	39.00
FAN6015C5M-II	5	0.36	1.80	5000	16.74	0.22	36.50
FAN6015C5L-II	5	0.29	1.45	4500	15.22	0.16	34.00
FAN6015C12H-II	12	0.18	2.16	5500	18.40	0.24	39.00
FAN6015C12M-II	12	0.14	1.68	5000	16.74	0.22	36.50
FAN6015C12L-II	12	0.12	1.44	4500	15.22	0.16	34.00
FAN6015C24H-II	24	0.12	2.88	5500	18.40	0.24	39.00
FAN6015C24M-II	24	0.10	2.40	5000	16.74	0.22	36.50
FAN6015C24L-II	24	0.09	2.16	4500	15.22	0.16	34.00

- * Specifications are subject to change without prior notice.
- * Check with your distributor for models available.