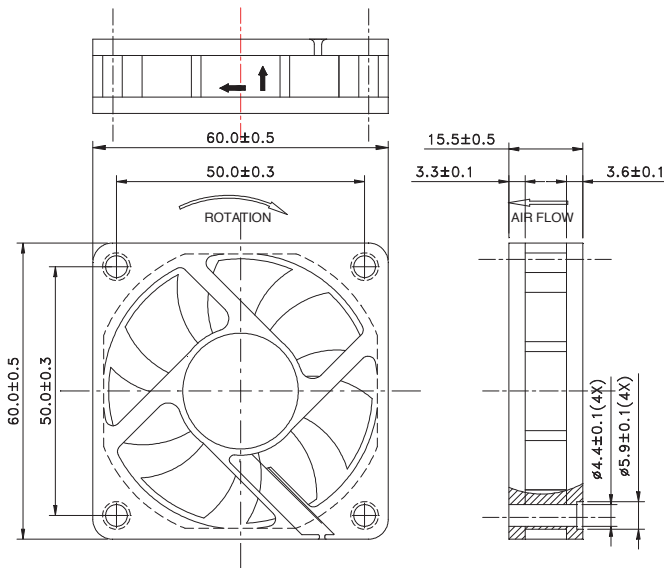
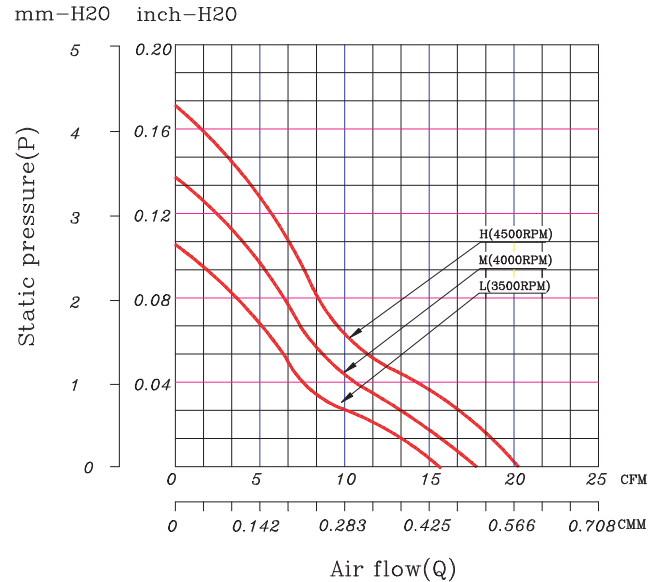


### Dimensions



### Performance Curves



Air exhaust over struts. Rotational direction CCW looking at rotor.

Brushless DC Motor	Bearing Type
Weight: 40g	Ceramic
Impedance protected	
Lead wire UL 1007 AWG 26	

\* All fans are with electronic protection against reverse polarity. The fan only operates when the polarity is correct.

Function Options	
<input type="checkbox"/> Frequency Generator	<input type="checkbox"/> Auto Restart
<input type="checkbox"/> Temperature Control	<input type="checkbox"/> Rotation Detection

\* Please contact us for PWM function availability.

\* Please contact us for IP55 availability.

\* Safety Approval: CE, UL, TUV

### Specifications

Model	Rated Voltage (VDC)	Rated Current (Amp)	Input Power (Watts)	Nominal Speed (RPM)	Airflow (CFM)	Static Pressure (inch -H <sub>2</sub> O)	Noise Level (dBA)
FAN6015C12H-I	12	0.18	2.16	4500	20.02	0.17	36.50
FAN6015C12M-I	12	0.14	1.68	4000	17.80	0.13	33.50
FAN6015C12L-I	12	0.12	1.44	3500	15.57	0.10	30.50
FAN6015C12H-I	24	0.12	2.88	4500	20.02	0.17	36.50
FAN6015C24M-I	24	0.11	2.64	4000	17.80	0.13	33.50
FAN6015C24L-I	24	0.10	2.40	3500	15.57	0.10	30.50

\* Specifications are subject to change without prior notice.

\* Check with your distributor for models available.