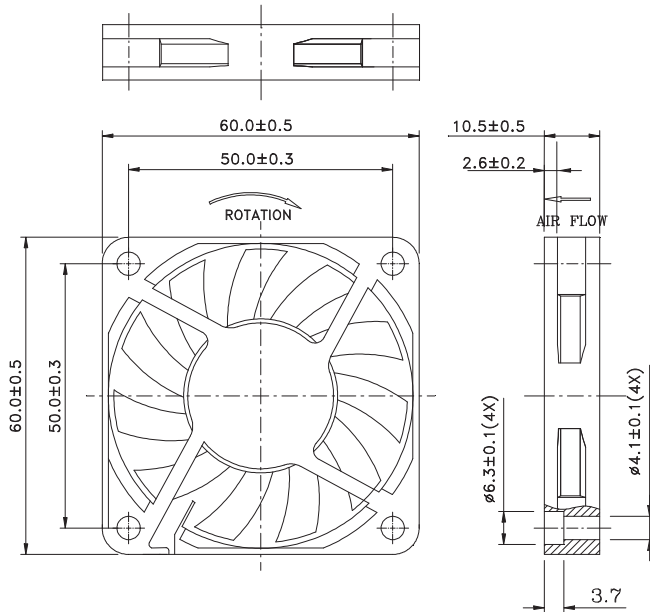
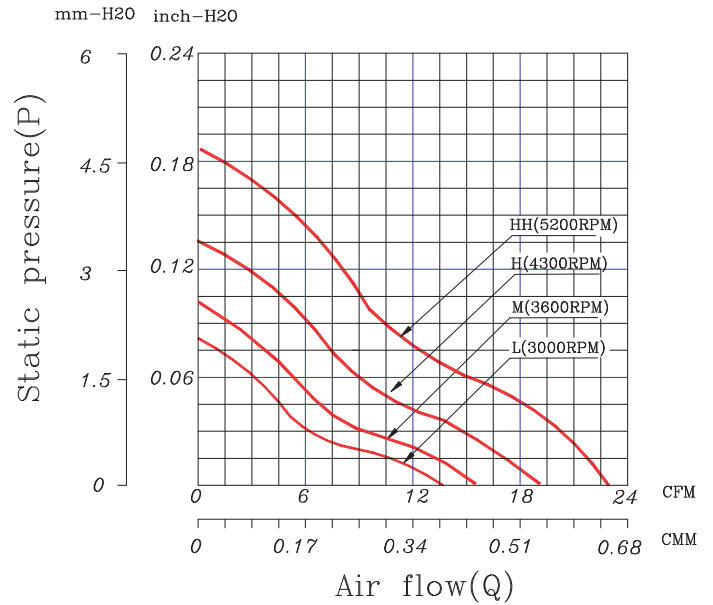


## Dimensions



## Performance Curves



Air exhaust over struts. Rotational direction CCW looking at rotor.

Brushless DC Motor	Bearing Type
Weight: 50g Impedance protected Lead wire UL 1007 AWG 26	Ceramic

\* All fans are with electronic protection against reverse polarity.  
The fan only operates when the polarity is correct.

Function Options	
● Frequency Generator	● Auto Restart
● Temperature Control	● Rotation Detection

- \* Please contact us for PWM function availability.
- \* Please contact us for IP55 availability.
- \* Safety Approval: CE, UL, TUV

## Specifications

Model	Rated Voltage (VDC)	Rated Current (Amp)	Input Power (Watts)	Nominal Speed (RPM)	Airflow (CFM)	Static Pressure (inch -H2O)	Noise Level (dBA)
FAN6010C12HH	12	0.33	3.96	5200	23.70	0.18	38.00
FAN6010C12H	12	0.25	3.00	4300	19.60	0.13	30.00
FAN6010C12M	12	0.18	2.16	3600	16.41	0.10	27.00
FAN6010C12L	12	0.11	1.32	3000	13.67	0.08	23.00
FAN6010C24HH	24	0.17	4.08	5200	23.70	0.18	38.00
FAN6010C24H	24	0.13	3.12	4300	19.60	0.13	30.00
FAN6010C24M	24	0.10	2.40	3600	16.41	0.10	27.00
FAN6010C24L	24	0.07	1.68	3000	13.67	0.08	23.00

\* Specifications are subject to change without prior notice.

\* Check with your distributor for models available.