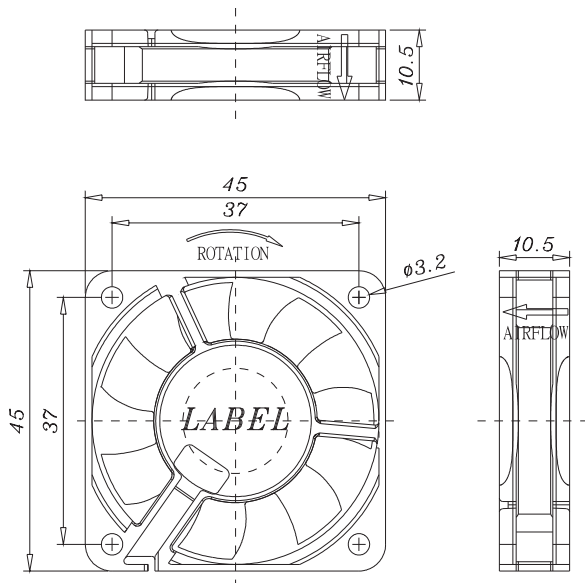
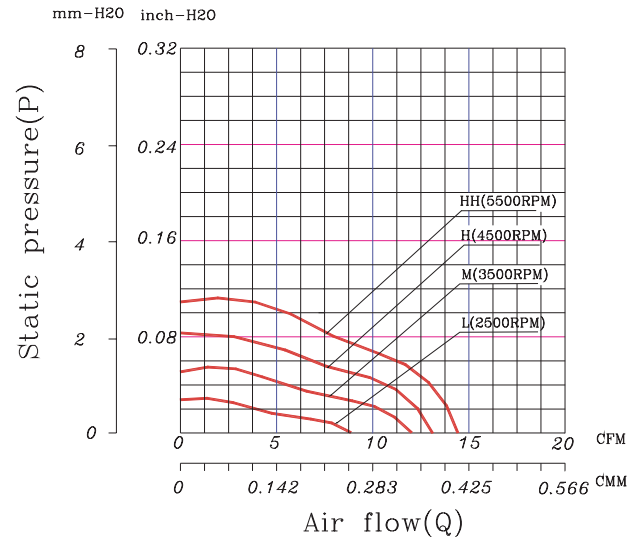


Dimensions



Performance Curves



Air exhaust over struts. Rotational direction CCW looking at rotor.

Brushless DC Motor	Bearing Type
Weight: 25 g	Ceramic
Impedance protected	
Lead wire UL 1095 AWG 28	

* All fans are with electronic protection against reverse polarity. The fan only operates when the polarity is correct.

Function Options	
<input type="checkbox"/> Frequency Generator	<input type="checkbox"/> Auto Restart
<input type="checkbox"/> Temperature Control	<input type="checkbox"/> Rotation Detection

* Please contact us for PWM function availability.

* Please contact us for IP55 availability.

* Safety Approval: CE, UL, TUV

Specifications

Model	Rated Voltage (VDC)	Rated Current (Amp)	Input Power (Watts)	Nominal Speed (RPM)	Airflow (CFM)	Static Pressure (inch -H2O)	Noise Level (dBA)
FAN4510C5HH	5	0.28	1.40	5500	13.48	0.13	33.00
FAN4510C5H	5	0.19	0.95	4500	11.03	0.10	27.00
FAN4510C5M	5	0.10	0.50	3500	8.58	0.08	21.00
FAN4510C5L	5	0.07	0.35	2500	6.13	0.06	15.00

* Specifications are subject to change without prior notice.

* Check with your distributor for models available.