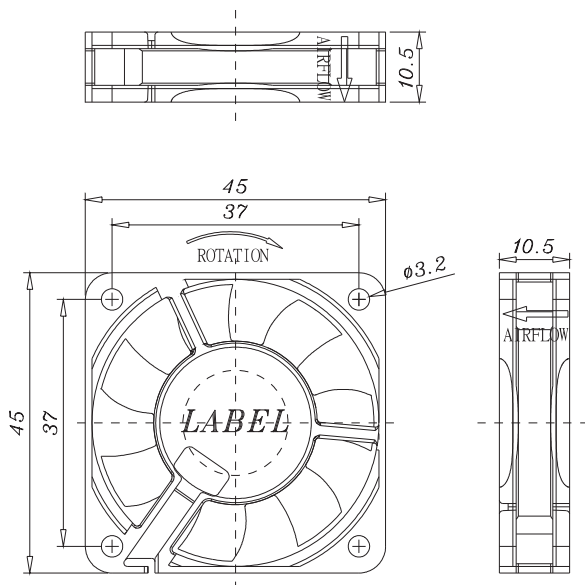
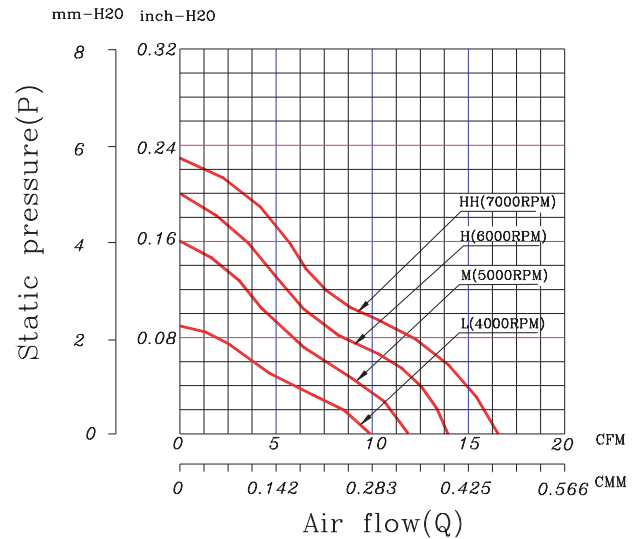


### Dimensions



### Performance Curves



Air exhaust over struts. Rotational direction CCW looking at rotor.

Brushless DC Motor	Bearing Type
Weight: 25 g	Ceramic
Impedance protected	
Lead wire UL 1095 AWG 28	

\* All fans are with electronic protection against reverse polarity. The fan only operates when the polarity is correct.

Function Options	
<input type="checkbox"/> Frequency Generator	<input type="checkbox"/> Auto Restart
<input type="checkbox"/> Temperature Control	<input type="checkbox"/> Rotation Detection

\* Please contact us for PWM function availability.

\* Please contact us for IP55 availability.

\* Safety Approval: CE, UL, TUV

### Specifications

Model	Rated Voltage (VDC)	Rated Current (Amp)	Input Power (Watts)	Nominal Speed (RPM)	Airflow (CFM)	Static Pressure (inch -H2O)	Noise Level (dBA)
FAN4510C12HH	12	0.22	2.64	7000	17.15	0.16	42.00
FAN4510C12H	12	0.18	2.16	6000	14.70	0.14	36.00
FAN4510C12M	12	0.11	1.32	5000	12.25	0.12	30.00
FAN4510C12L	12	0.08	0.96	4000	9.80	0.09	24.00

\* Specifications are subject to change without prior notice.

\* Check with your distributor for models available.