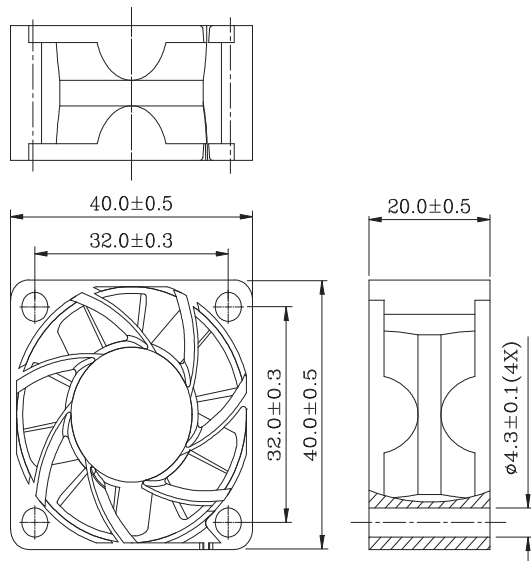
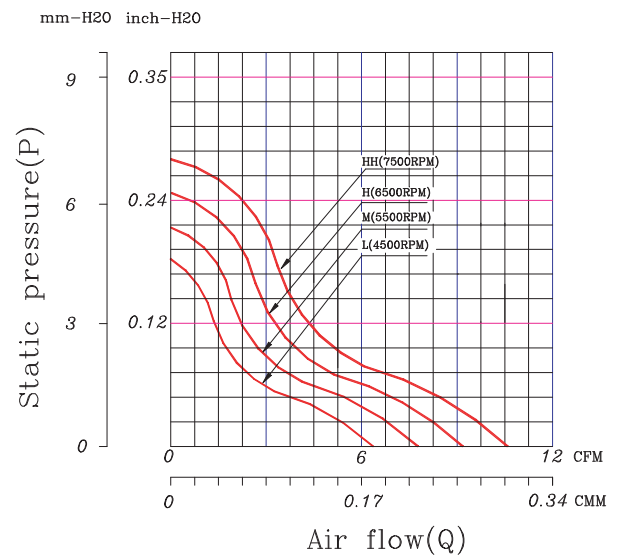


Dimensions



Performance Curves



Air exhaust over struts. Rotational direction CCW looking at rotor.

Brushless DC Motor	Bearing Type
Weight: 30g Impedance protected Lead wire UL 1095 AWG 28	Ceramic

* All fans are with electronic protection against reverse polarity.
The fan only operates when the polarity is correct.

Function Options	
<input checked="" type="checkbox"/> Frequency Generator	<input checked="" type="checkbox"/> Auto Restart
	<input checked="" type="checkbox"/> Rotation Detection

- * Please contact us for PWM function availability.
- * Please contact us for IP55 availability.
- * Safety Approval: CE, UL, TUV

Specifications

Model	Rated Voltage (VDC)	Rated Current (Amp)	Input Power (Watts)	Nominal Speed (RPM)	Airflow (CFM)	Static Pressure (inch -H2O)	Noise Level (dBA)
FAN4020C5HH	5	0.33	1.65	7500	10.59	0.28	26.00
FAN4020C5H	5	0.24	1.20	6500	9.18	0.25	24.00
FAN4020C5M	5	0.20	1.00	5500	7.77	0.21	21.00
FAN4020C5L	5	0.12	0.60	4500	6.36	0.18	19.00

* Specifications are subject to change without prior notice.

* Check with your distributor for models available.