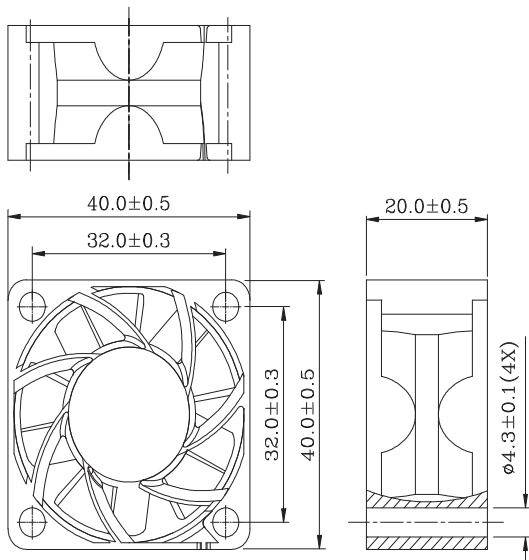
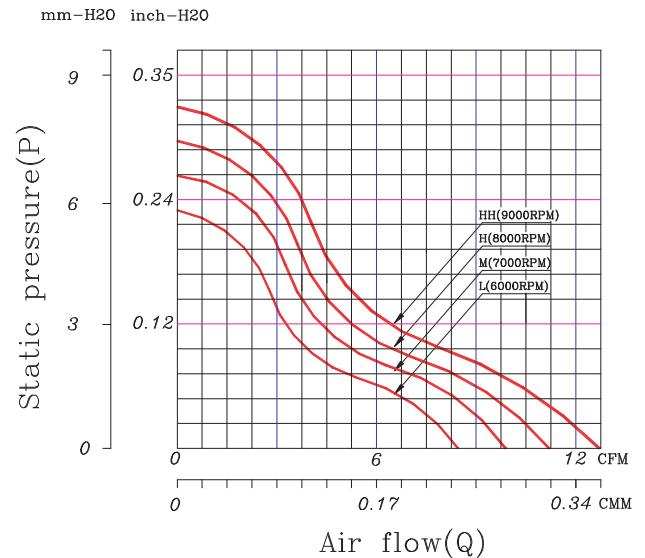


### Dimensions



### Performance Curves



Air exhaust over struts. Rotational direction CCW looking at rotor.

Brushless DC Motor	Bearing Type
Weight: 30g Impedance protected Lead wire UL 1095 AWG 28	Ceramic

\* All fans are with electronic protection against reverse polarity. The fan only operates when the polarity is correct.

Function Options	
<input checked="" type="radio"/> Frequency Generator	<input checked="" type="radio"/> Auto Restart
	<input checked="" type="radio"/> Rotation Detection

- \* Please contact us for PWM function availability.
- \* Please contact us for IP55 availability.
- \* Safety Approval: CE, UL, TUV

### Specifications

Model	Rated Voltage (VDC)	Rated Current (Amp)	Input Power (Watts)	Nominal Speed (RPM)	Airflow (CFM)	Static Pressure (inch -H <sub>2</sub> O)	Noise Level (dBA)
FAN4020C12HH	12	0.20	2.40	9000	12.71	0.33	33.00
FAN4020C12H	12	0.16	1.92	8000	11.30	0.29	31.00
FAN4020C12M	12	0.12	1.44	7000	9.89	0.26	27.00
FAN4020C12L	12	0.09	0.98	6000	8.48	0.23	23.00
FAN4020C24HH	24	0.13	3.12	9000	12.71	0.33	33.00
FAN4020C24H	24	0.11	2.64	8000	11.30	0.29	31.00
FAN4020C24M	24	0.09	2.16	7000	9.89	0.26	27.00
FAN4020C24L	24	0.08	1.92	6000	8.48	0.23	23.00

\* Specifications are subject to change without prior notice.

\* Check with your distributor for models available.