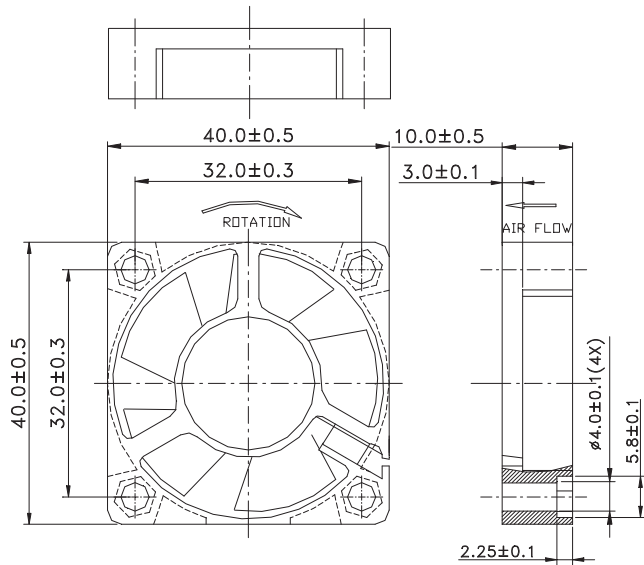
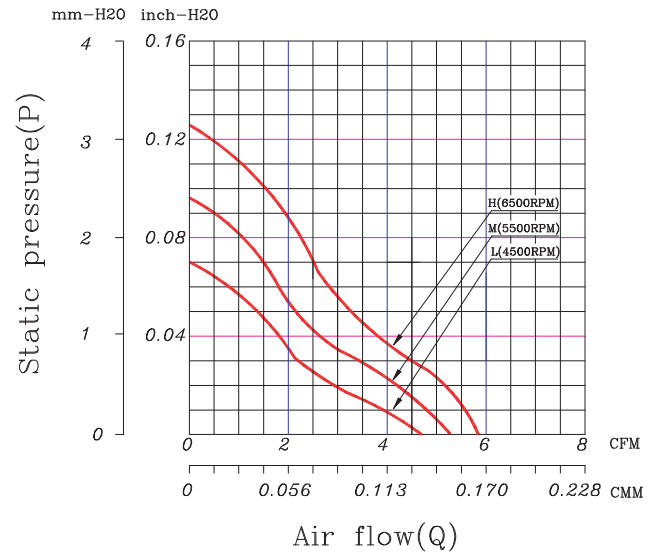


#### Dimensions



#### Performance Curves



Air exhaust over struts. Rotational direction CCW looking at rotor.

| Brushless DC Motor   | Bearing Type |
|--|--------------|
| Weight: 15g<br>Impedance protected<br>Lead wire UL 1007 AWG 28 | Ceramic      |

\* All fans are with electronic protection against reverse polarity. The fan only operates when the polarity is correct.

| Function Options                                     |   |
|--|---|
| <input checked="" type="radio"/> Frequency Generator | <input checked="" type="radio"/> Auto Restart       |
|  | <input checked="" type="radio"/> Rotation Detection |

- \* Please contact us for PWM function availability.
- \* Please contact us for IP55 availability.
- \* Safety Approval: CE, UL, TUV

#### Specifications

| Model         | Rated Voltage (VDC) | Rated Current (Amp) | Input Power (Watts) | Nominal Speed (RPM) | Airflow (CFM) | Static Pressure (inch -H2O) | Noise Level (dBA) |
|---------------|---------------------|---------------------|---------------------|---------------------|---------------|-----------------------------|-------------------|
| FAN4010C5H-I  | 5                   | 0.18                | 0.90                | 6500                | 5.80          | 0.12                        | 28.50             |
| FAN4010C5M-I  | 5                   | 0.14                | 0.70                | 5500                | 5.20          | 0.09                        | 24.50             |
| FAN4010C5L-I  | 5                   | 0.12                | 0.60                | 4500                | 4.60          | 0.07                        | 23.00             |
| FAN4010C12H-I | 12                  | 0.09                | 1.08                | 6500                | 5.80          | 0.12                        | 28.50             |
| FAN4010C12M-I | 12                  | 0.07                | 0.84                | 5500                | 5.20          | 0.09                        | 24.50             |
| FAN4010C12L-I | 12                  | 0.06                | 0.72                | 4500                | 4.60          | 0.07                        | 23.00             |
|               |                     |                     |                     |                     |               |                             |                   |
|               |                     |                     |                     |                     |               |                             |                   |

\* Specifications are subject to change without prior notice.

\* Check with your distributor for models available.