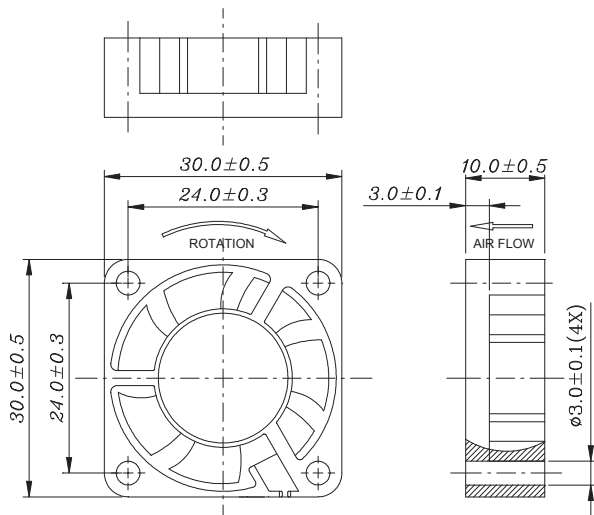
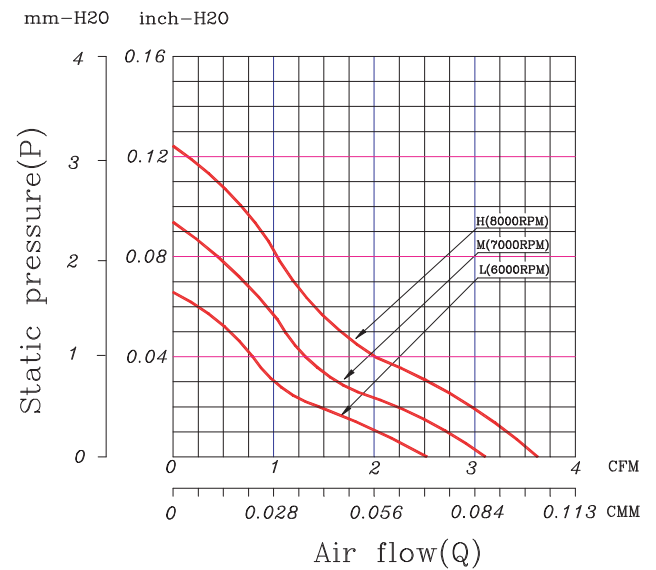


Dimensions



Performance Curves



Air exhaust over struts. Rotational direction CCW looking at rotor.

Brushless DC Motor	Bearing Type
Weight: 8 g Impedance protected Lead wire UL 1095 AWG 28	Ceramic

* All fans are with electronic protection against reverse polarity. The fan only operates when the polarity is correct.

Function Options	
<input checked="" type="radio"/> Frequency Generator	<input checked="" type="radio"/> Auto Restart

- * Please contact us for PWM function availability.
- * Please contact us for IP55 availability.
- * Safety Approval: CE, UL, TUV

Specifications

Model	Rated Voltage (VDC)	Rated Current (Amp)	Input Power (Watts)	Nominal Speed (RPM)	Airflow (CFM)	Static Pressure (inch -H2O)	Noise Level (dBA)
FAN3010C5H	5	0.18	0.90	8000	3.68	0.12	24.50
FAN3010C5M	5	0.12	0.60	7000	3.11	0.09	23.50
FAN3010C5L	5	0.09	0.45	6000	2.55	0.07	22.50
FAN3010C12H	12	0.09	1.08	8000	3.68	0.12	24.50
FAN3010C12M	12	0.08	0.96	7000	3.11	0.09	23.50
FAN3010C12L	12	0.06	0.72	6000	2.55	0.07	22.50

* Specifications are subject to change without prior notice.

* Check with your distributor for models available.