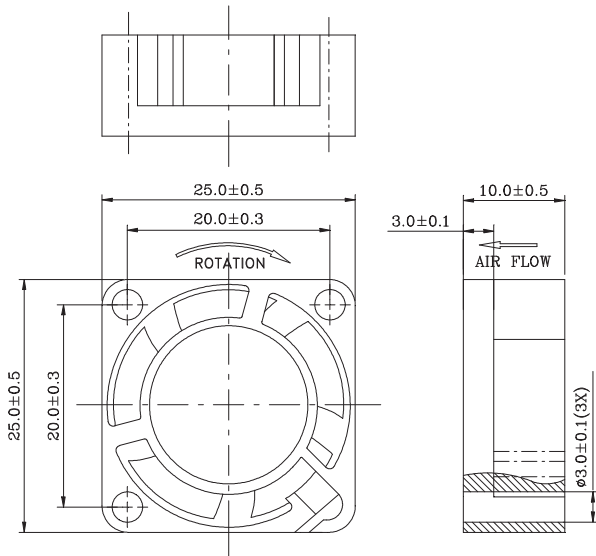
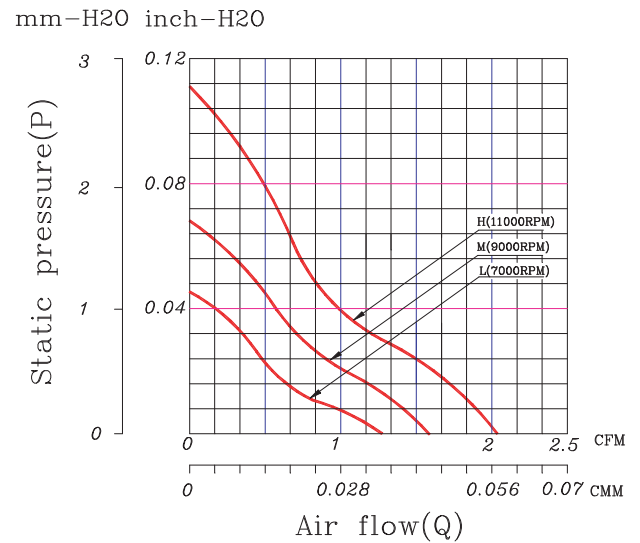


### Dimensions



### Performance Curves



Air exhaust over struts. Rotational direction CCW looking at rotor.

Brushless DC Motor	Bearing Type
Weight: 7 g	Ceramic
Impedance protected	
Lead wire UL 1095 AWG 28	

\* All fans are with electronic protection against reverse polarity. The fan only operates when the polarity is correct.

Function Options	
<input checked="" type="checkbox"/> Frequency Generator	<input checked="" type="checkbox"/> Auto Restart

- \* Please contact us for PWM function availability.
- \* Please contact us for IP55 availability.
- \* Safety Approval: CE, UL, TUV

### Specifications

Model	Rated Voltage (VDC)	Rated Current (Amp)	Input Power (Watts)	Nominal Speed (RPM)	Airflow (CFM)	Static Pressure (inch -H <sub>2</sub> O)	Noise Level (dBA)
FAN2510C5H	5	0.18	0.90	11000	2.01	0.11	25.00
FAN2510C5M	5	0.11	0.55	9000	1.56	0.07	23.50
FAN2510C5L	5	0.07	0.35	7000	1.27	0.05	22.50
FAN2510C12H	12	0.08	0.96	11000	2.01	0.11	25.00
FAN2510C12M	12	0.06	0.72	9000	1.56	0.07	23.50
FAN2510C12L	12	0.05	0.60	7000	1.27	0.05	22.50

- \* Specifications are subject to change without prior notice.
- \* Check with your distributor for models available.